

COOBER LM ECU CFMOTO 450NK

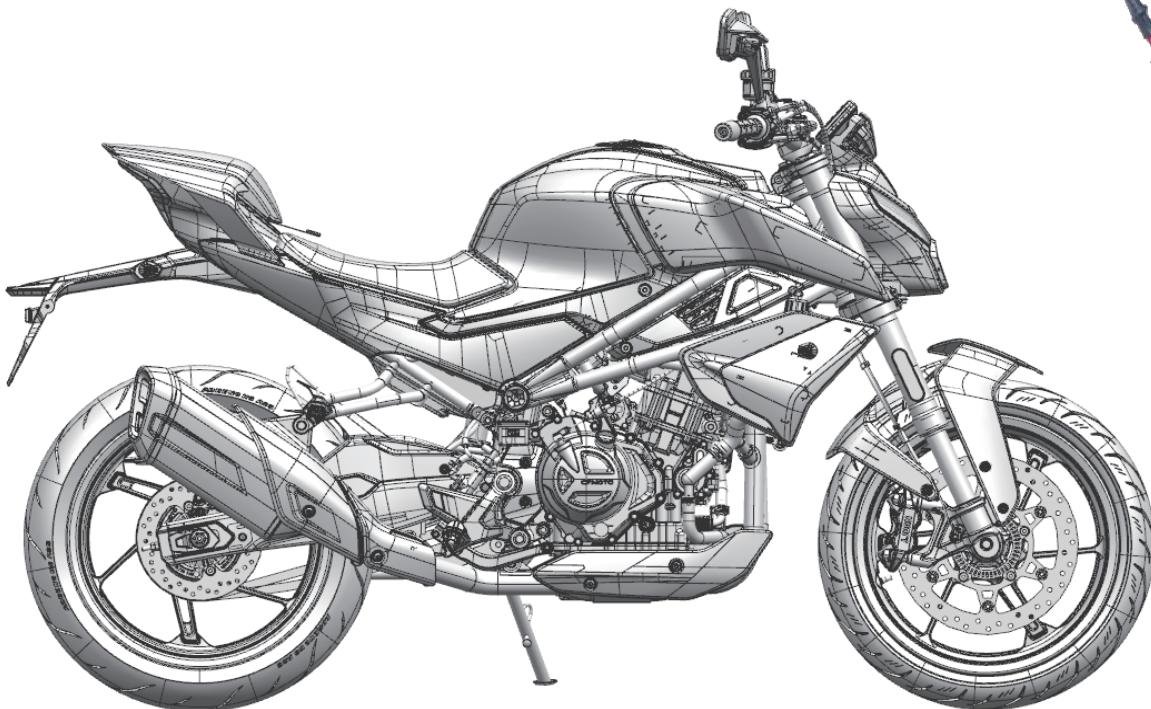
COOBER

www.coober.eu



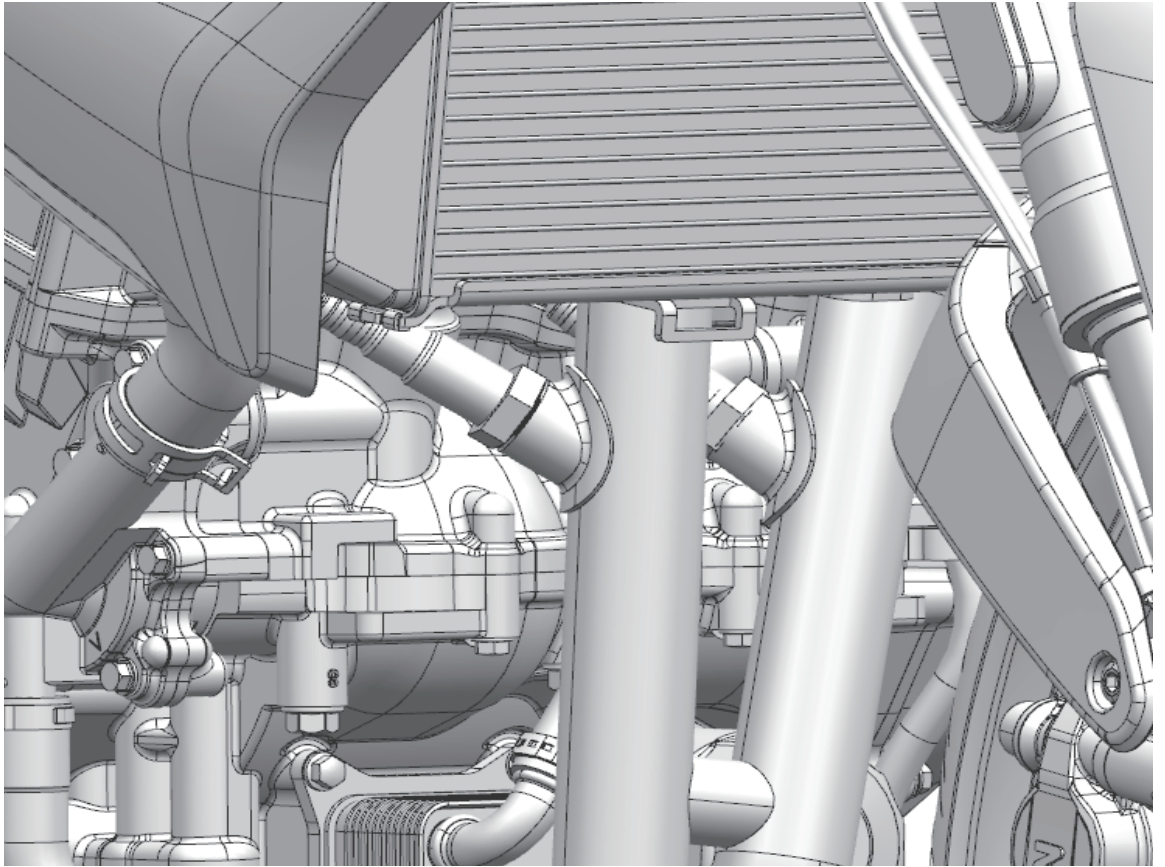
EU

Instruction manual

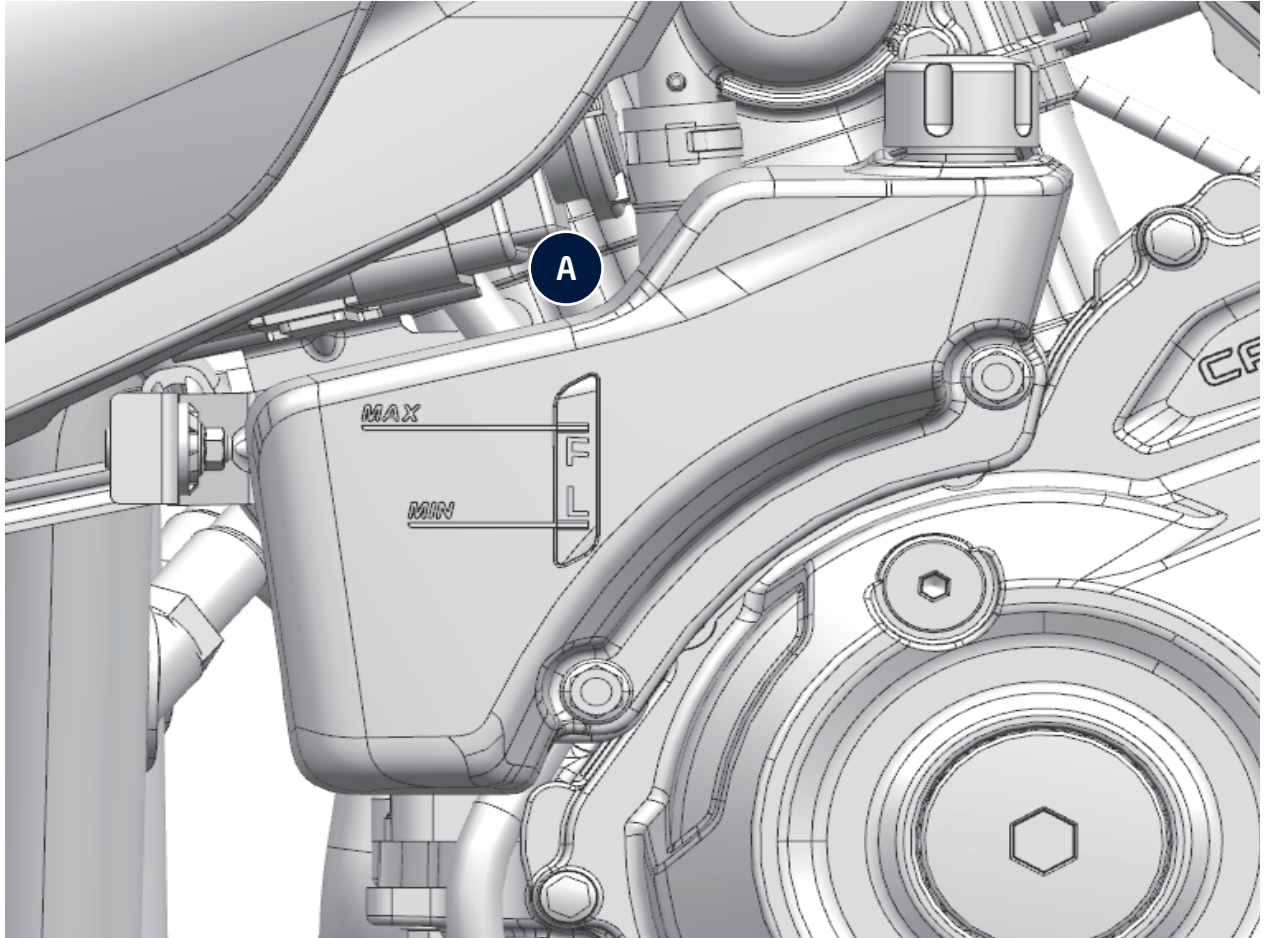


COOBER

- 1 Follow wires from Lambda sensor to connector



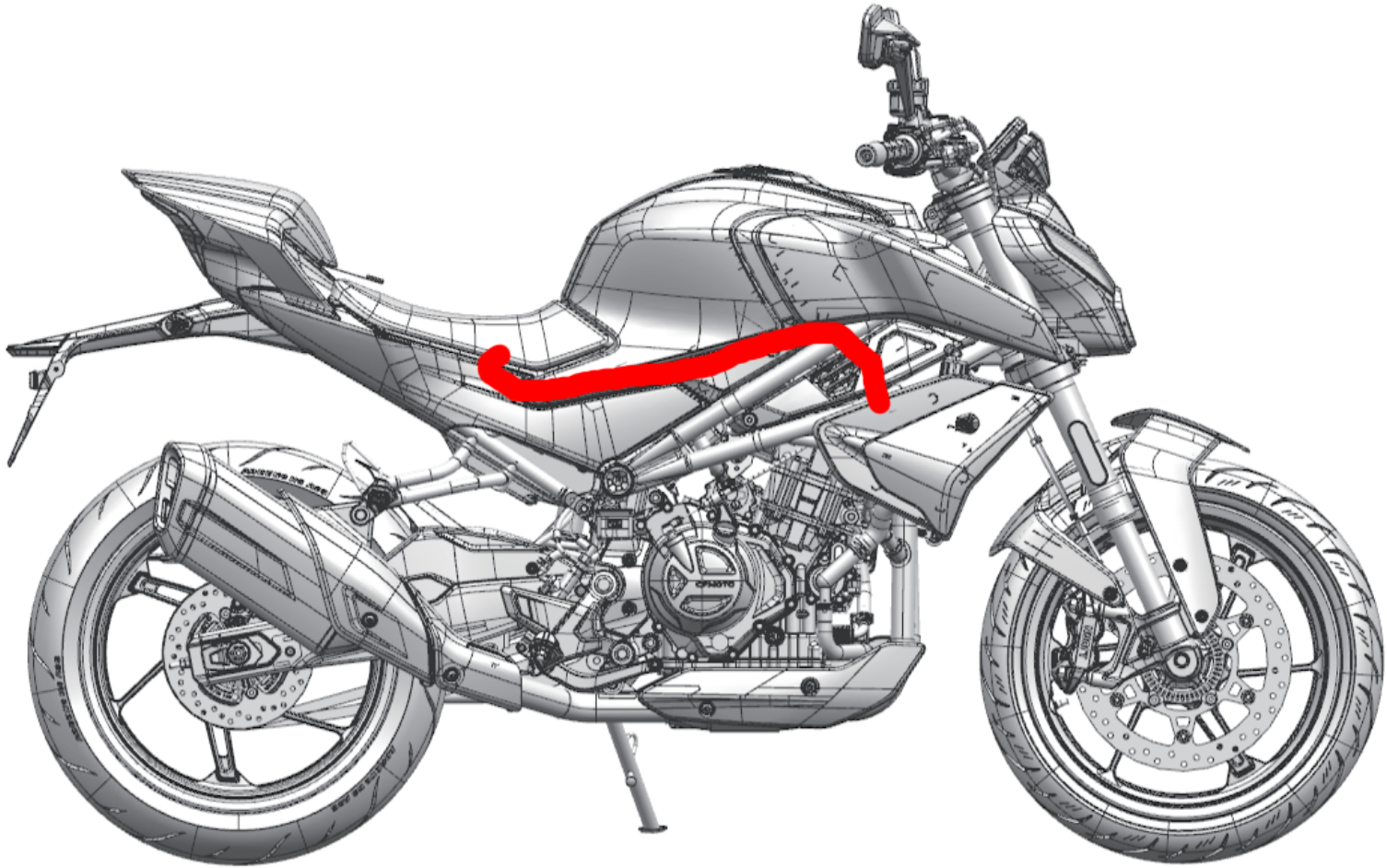
- 2 Location of
Lambda Sensor
(A) connector





COOBER LM ECU

- 3 Route Harness under plastic cover and place it under seat.



4 Connect GND
to Battery
(- minus)

GROUND

