

# COOBER LM ECU CFMOTO 800NK

**COOBER**

[www.coober.eu](http://www.coober.eu)



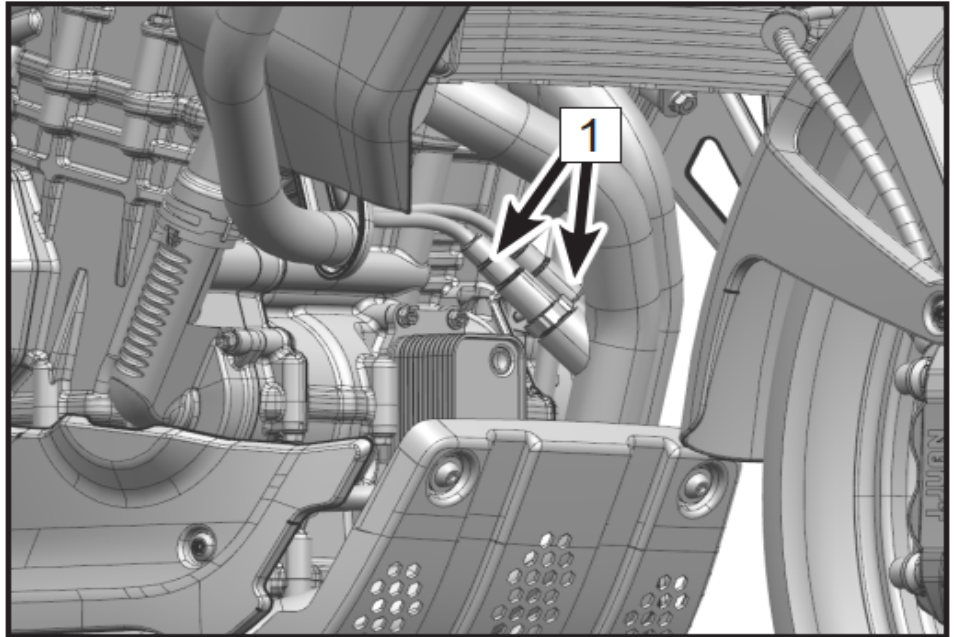
EU

Instruction manual

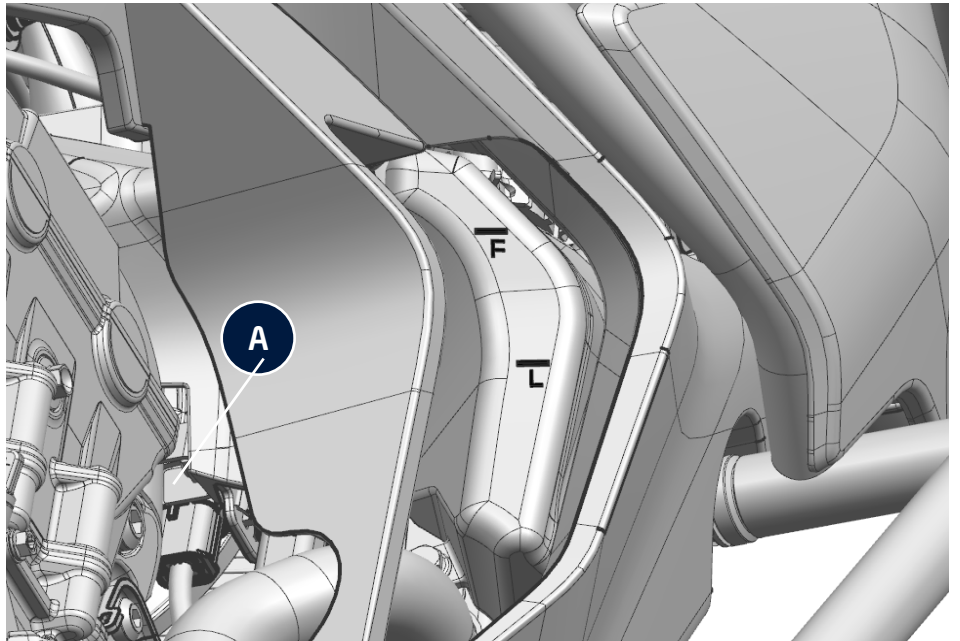


COOBER

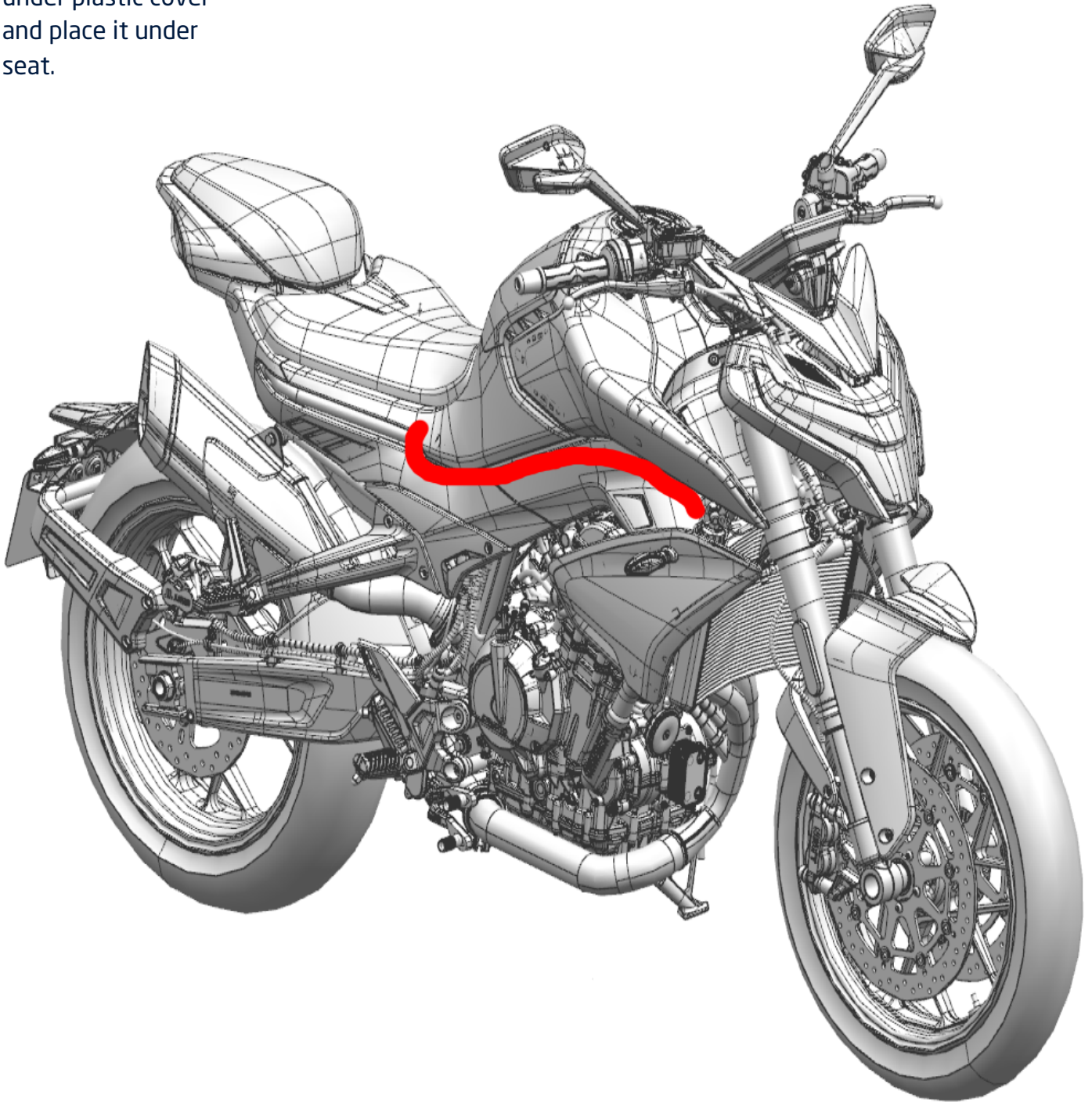
- 1 Follow wires from Lambda sensor to connector



- 2 Location of  
Lambda Sensor  
(A) connector



- 3 Route Harness under plastic cover and place it under seat.



**GROUND**

**4** Connect GND to Battery (- minus)

