

# COOBER LM ECU CFMOTO MT800

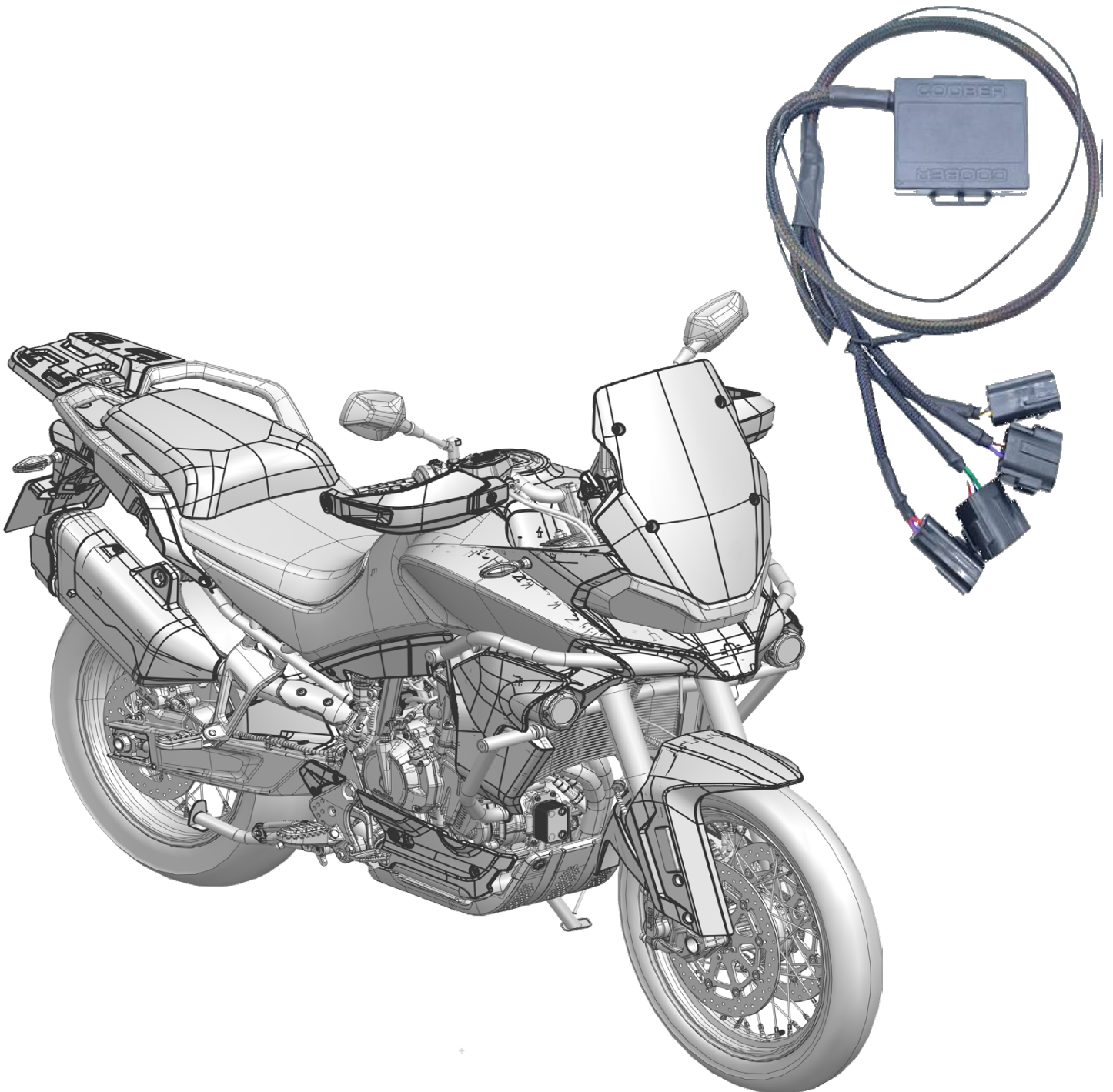
**COOBER**

[www.coober.eu](http://www.coober.eu)



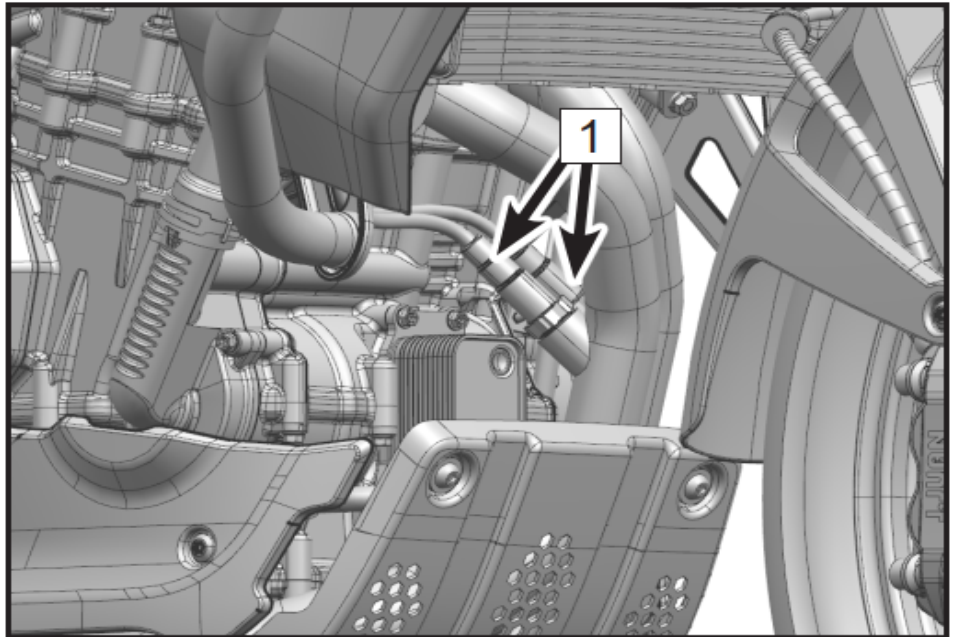
EU

Instruction manual

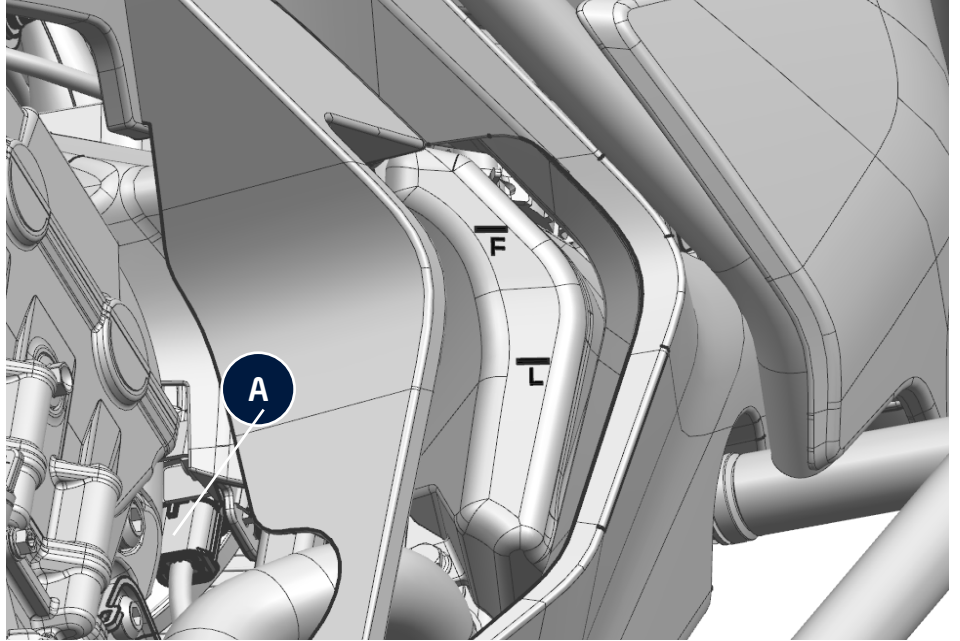


COOBER

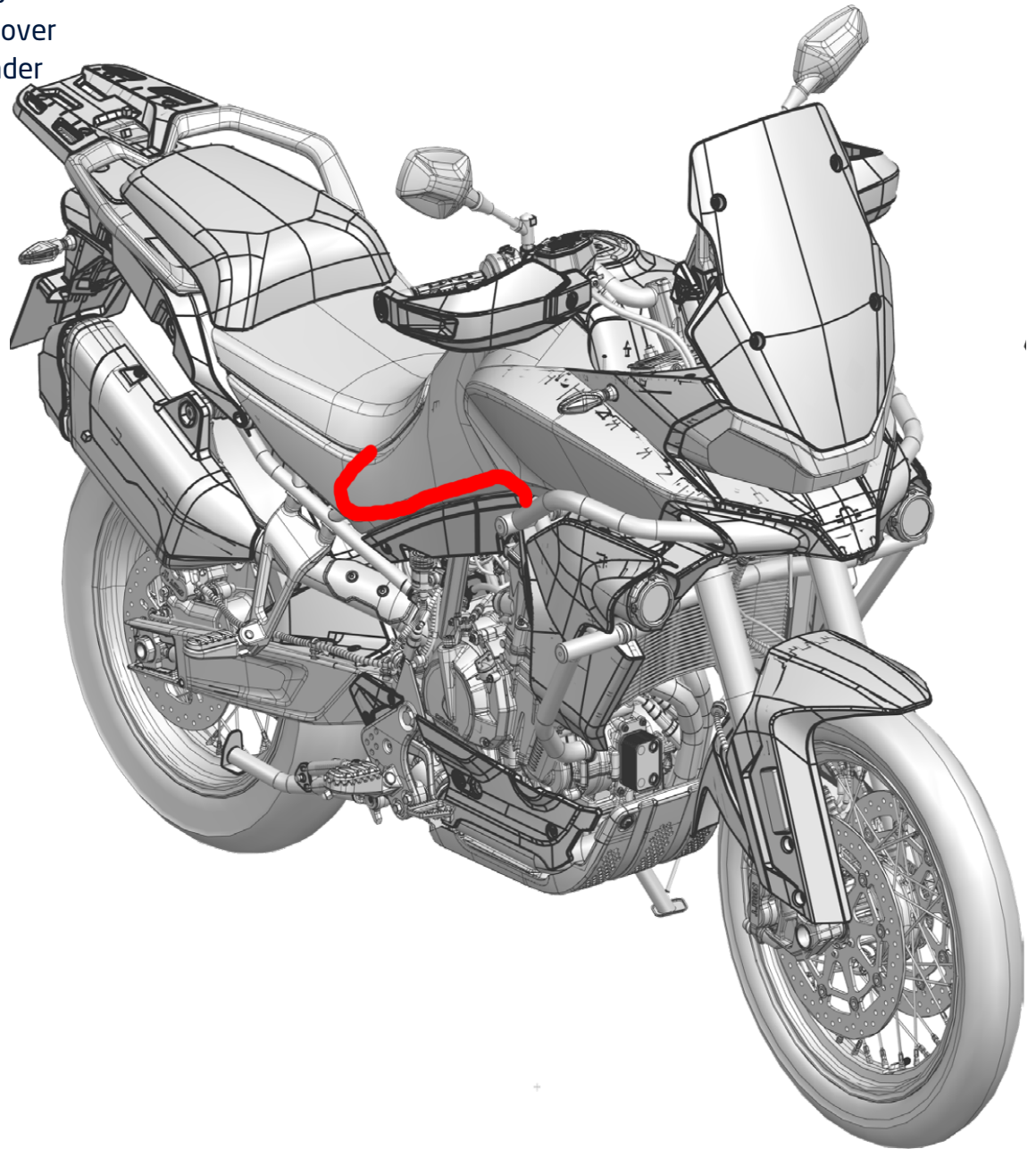
- 1 Follow wires from Lambda sensors to connectors



**2** Location of Lambda  
Sensors ( connector )  
**A**

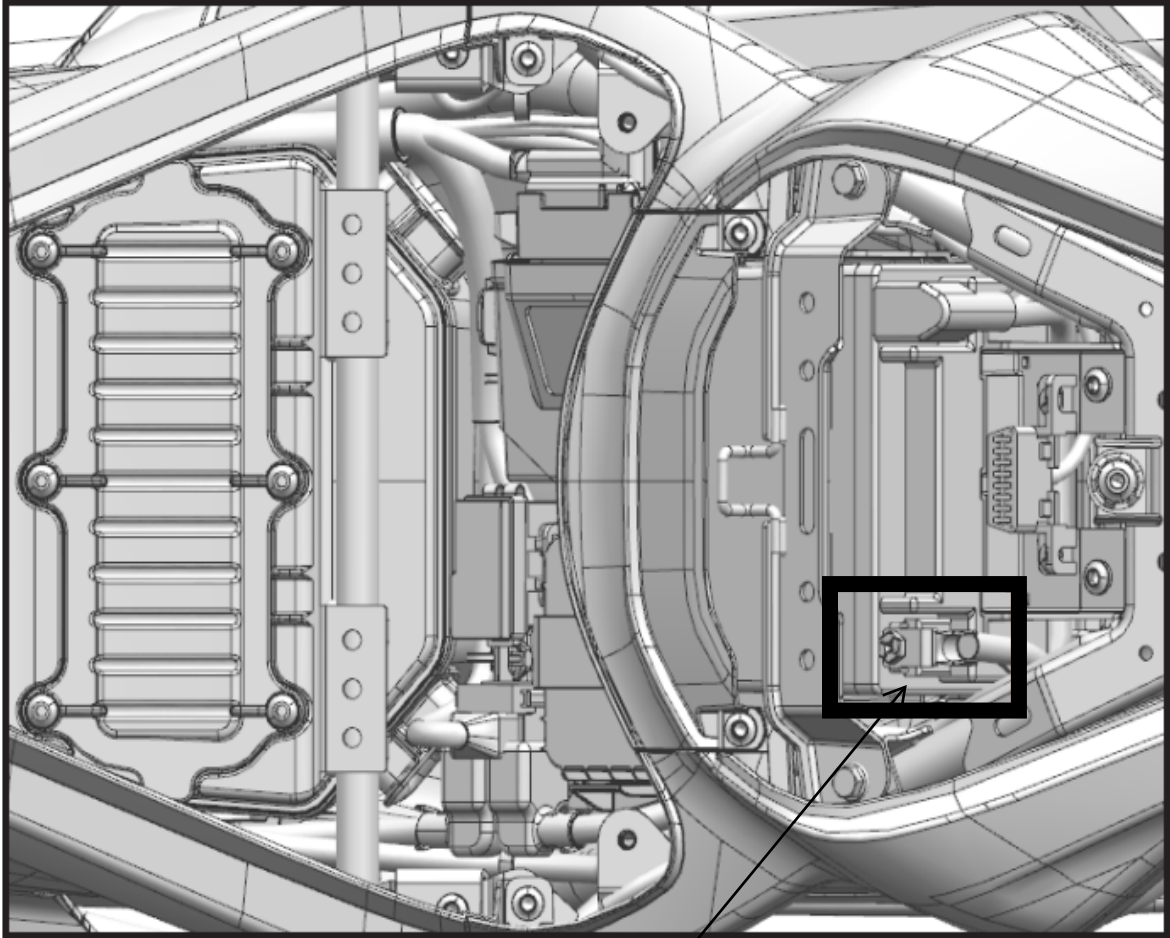


- 3** Route Harness under plastic cover and place it under seat.



**GROUND**

**4** Connect GND to Battery



Battery negative  
Battery minus